

## HD PRO SERIES

Series dedicated to the installer who's looking for a high-level camera making the difference in terms of image quality.



# DI-350A-28

## 20M IR 5MP PRO HD ANALOG FIXED LENS DOME/TURRET CAMERA

Equipped with a 2.8mm fixed lens, this 5M dome/turret camera is designed for short distance surveillance systems (up to 20m) for both indoor and outdoor scenarios.

Featuring 4in1 technology selectable by a protected DIPswitch the camera is ideal for Plug & Play over existing analog infrastructure.



### MAIN FEATURES

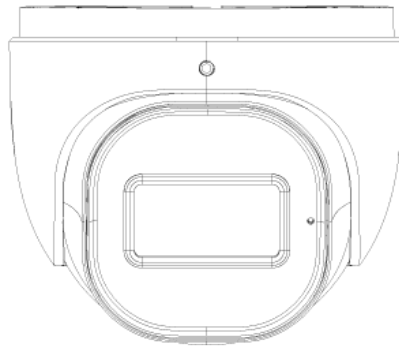
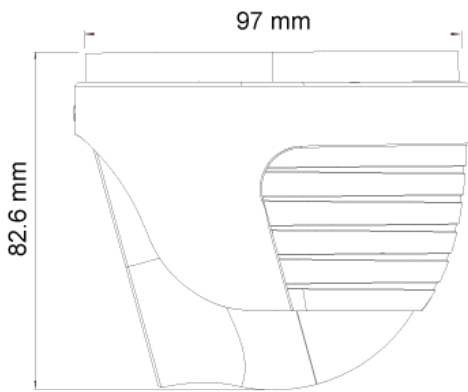
- 5MP
- Pro Series
- 2592x1944 Resolution
- Wide field of view 91
- 3D-DNR
- 4 in 1 (DIP Switch AHD/TVI/CVI/CVBS + PAL/NTSC)
- IP67
- COC support



## SPECIFICATIONS

Image Sensor	1/2.7" 5MP Sensor
Image Format	5MP - 4:3. 4MP - 16:9
Effective Pixels	2608x1960
Scanning System	Progressive
Resolution	5MP: 2592x1944 AHD/TVI 4MP: 2560x1440 AHD/TVI/CVI CVBS: 700TVL
FPS	25/30FPS
Min. Illumination	Color: 0.01lux @F1.2, AGC ON B/W: 0lux with IR"
D&N	True Day&Night-ICR
IR LED	1 LED Array (20m)
OSD Menu	Available via CoC Only
CoC Support	Yes
Day & Night Mode	Ext/Auto/Day/Night
Backlight Compensation	BLC
S/N Ratio	≥52dB (AGC OFF)
White Balance	Auto / Auto->Set
Noise Reduction	3D-DNR
Video Output	5MP / 4MP (Selected by OSD Menu) AHD/TVI/CVI/CVBS + PAL/NTSC (Selected by DIP Switch)
Privacy Mask	No
D-Effect	Mirror + Flip
WDR	Digital
Lens (Field Of View)	2.8mm Mega-Pixel Fixed (91°)
Power	DC12V/280mA
Operation Temperature	-30° ~ 50°, 10% ~ 90% humidity
Protection Rate	IP67
Dimensions	Φ97*82.6mm
Net Weight	465g
Junction Box	PR-JB12IP66 - PR-JB12IP64 - PR-WB-A

## DIMENSIONS

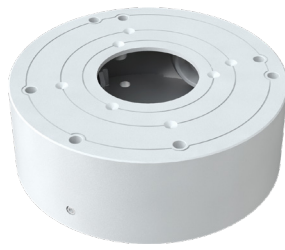


DIP Switch for Output Selection

## ACCESSORIES



PR-JB12IP66  
Small Water-proof Junction Box



PR-JB12IP64  
Small Junction Box



PR-WB-A  
Designed Wall Bracket