

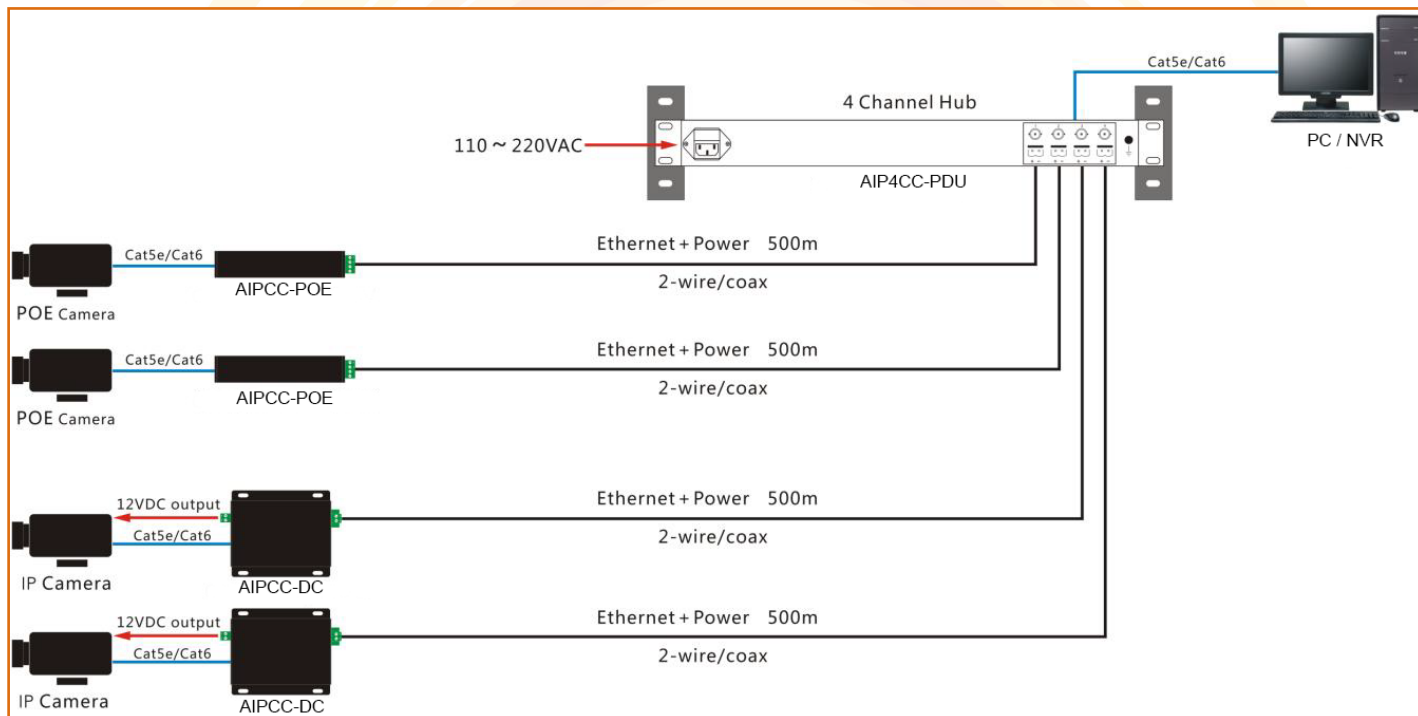
- Ethernet and Power over 2-wires
- Plug and Play Installation
- PoE transmission over 500m
- Bandwidth up to 500Mbps
- 19" Rack Mount Hub
- 2 Camera Interface Options



The Acam AIP4CC-PDU is a Multi-Channel Ethernet and Power Distribution / Receiver Hub which simultaneously receives Ethernet and transmits Power over any 2-wire cable such as Coaxial, Twisted Pair, Cat5 etc. The maximum PoE distance is up to 500m and bandwidth supported is up to 500Mbps.

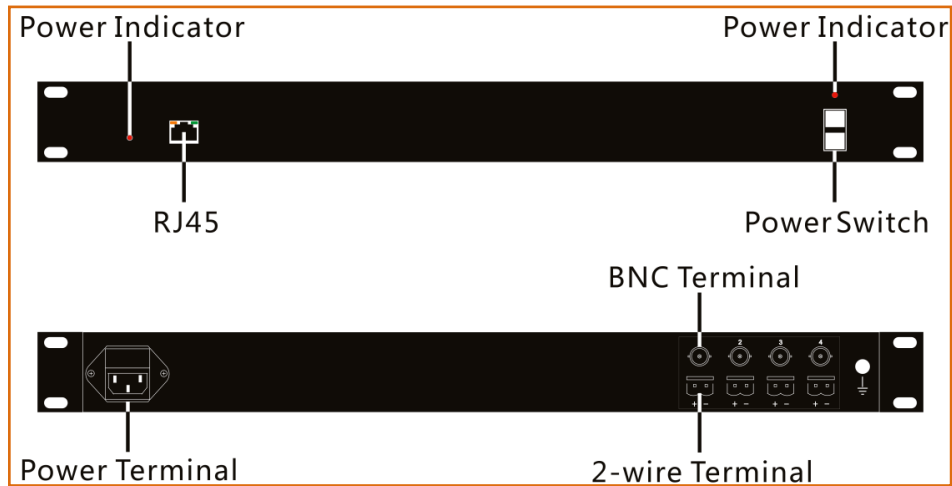
Camera interfaces for 12VDC and PoE Powered IP cameras are available.

Camera Interface Connection Options

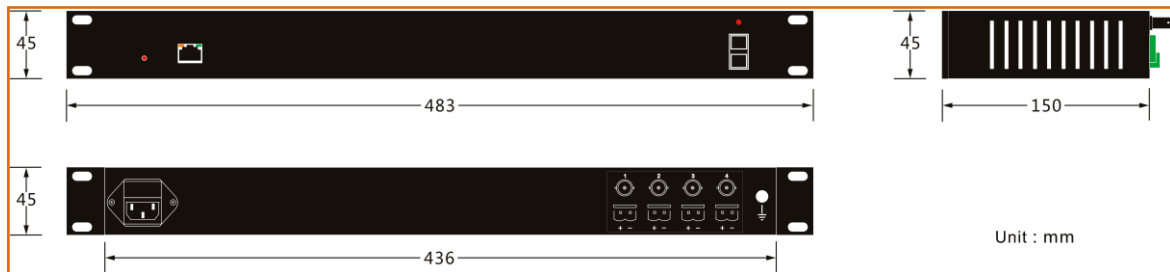


**Options above show 2 x PoE Cameras connected via our AIPCC-POE Interface and 2 x 12VDC IP Cameras connected via our AIPCC-DC Interfaces

Hub Terminals and Indicators



Hub Dimensions



| Specifications | | |
|-----------------------|------------------|----------------------------------|
| Power | Input | 100 ~ 120VAC/3A; 200 ~ 240VAC/2A |
| | Output | 48VDC / 160W |
| Ethernet | Compliance | IEEE 802.3, IEEE 802.3u |
| | Bandwidth | 500Mbps |
| Physical Enclosure | Dimensions | (L)483mm x (H)45mm x (D)150mm |
| | Case Material | Aluminium |
| | Net Weight | 2.1Kg |
| Operating Environment | Working Temp | -20°C~60°C |
| | Working Humidity | <95% (non-condensing) |