



# AC2200

## Bluetooth enabled Smart Fingerprint Terminal

The AC2200 is a versatile terminal designed to operate as stand alone, networked or integrated into 3rd Party Access Control systems. Bluetooth enabled with Live and Fake fingerprint scanner the AC2200 is designed to operate under challenging conditions.

The terminal can be used in a 1:1 verification mode or a 1:N identification mode.



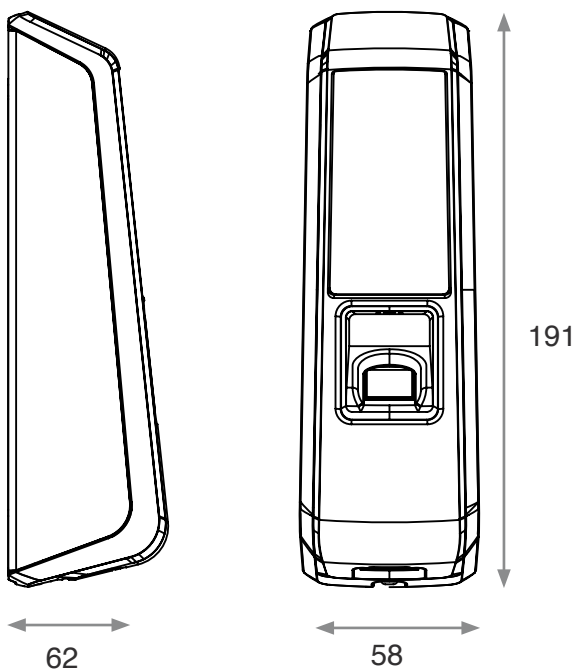
### Key Features

- Integrated with various Access Control Systems via Wiegand
- Paxton Approved for Integration
- Bluetooth Enabled Mobile Key System
- Wiegand In and Out
- True Live and Fake Finger Detection
- Built In 13.56Mhz Card Reader
- Anti Tamper
- On-Board Camera for Transaction Snap Shots
- IP65 Rated
- Suitable for T&A Applications (With Unis &Uniworks Software)
- Suitable for Internal and External use

# Specification

Model Number	AC2200
Scanner	Union Patented White Light Optical
CPU	ARM9, 4000MHz
LCD	1.77' Colour LCD
Communication	TCP/IP, Bluetooth, Wiegand In/Out, RS232, RS485
Memory	256MB RAM + 256MB SD RAM
Max User	1000 (Standard) /5000 (Special Order)
Log Capacity	100,000
On-Board Card Reader	13.56Mhz/ Compatible with MiFare Cards, CSCS, Oyster & Contactless Bank Cards
Operating Temperature	-20 °C to +60 °C
Environmental Rating	IP65
Certificate	KC, CE, FCC
Dimension (mm) W x H x D	58 x 191 x 62

## Dimensions (mm)



## Related Products

- EB030- Contactless Exit Button
- BLC015- Secure Relay
- Unis- Access Control Security Software
- Uni Work- Time and Attendance Software
- FOH02SC- USB Fingerprint/Card Reader



EB030



BLC015



Unis S/F



UniWork S/F



FOH02SC